

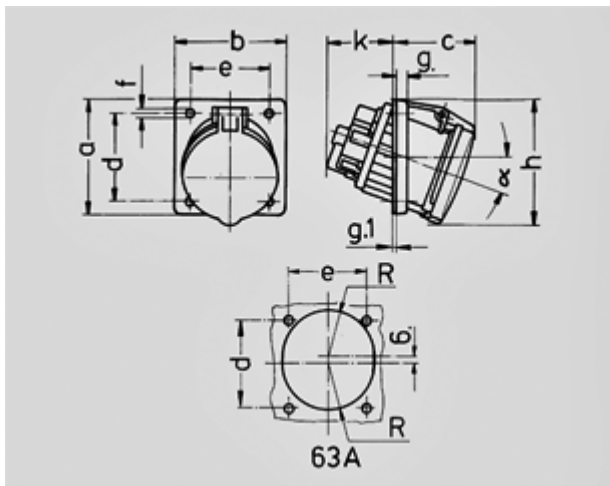
Panel mounted socket - Part no. 1150A



- screw terminals
- SoftCONTACT
- 20° inclination
- Products with pilot contacts: Part no. + index P

| | |
|-----------------------|-----------------|
| Protection type | IP 44 |
| Ampere | 63A |
| Poles | 4p |
| Voltage | 230V |
| Hertz | 50-60 Hz |
| Earth position | 9h |
| Contact | standard |
| Connection technology | Screw terminals |

Std. Pack. 5 Qty.



| Drawing | Amp. | 63 | | |
|--------------------------------------------------|-------|-------|-----|-----|
| | | Poles | | |
| 1 MB 297 | | 3 | 4 | 5 |
| Dim. in mm | a | 110 | 110 | 110 |
| | b | 106 | 106 | 106 |
| | c | 85 | 85 | 85 |
| | d | 85 | 85 | 85 |
| | e | 77 | 77 | 77 |
| | f | 6,2 | 6,2 | 6,2 |
| | g. | 12 | 12 | 12 |
| | g.1 | 2 | 2 | 2 |
| | h | 122 | 122 | 122 |
| | k | 69 | 69 | 69 |
| | R | 46 | 46 | 46 |
| | alpha | 20° | 20° | 20° |
| Terminal for cond. cross section (mm²) min.-max. | | 6 | 6 | 6 |
| | | -25 | -25 | -25 |